

Safety pressure gauges "Solid – front" Polypropylene case (4½")

MP-443

SPECIAL FEATURES

- "SOLID FRONT" DESIGN FEATURES BAFFLE WALL INTERPOSED BETWEEN THE SENSING SYSTEM, THE WINDOW AND A PRESSURE RELIEVING BACK FOR INCREASED SAFETY.
- POLYPROPYLENE CASE FOR SUPERIOR CHEMICAL AND HEAT RESISTANCE.
- WETTED PARTS AISI 316L STAINLESS STEEL.
- ACCURACY $\pm 0.5\%$ F.S.
- STANDARD FOLLOWED UNI 8541, EN 837-1/6 AND ANSI B40.1 GRADE 2A.

APPLICATIONS

SUITABLE FOR HIGH PRESSURE GAS, CORROSIVE/HAZARDOUSE ENVIROMENT, FOOD & BEVERAGE, PHARMACEUTICAL, CHEMICAL & PETROCHEMICAL INDUSTRIES, POWER PLANTS, PUMPS COMPRESSORS, TURBINES & PROCESSING INDUSTRIES.

SPECIFICATIONS

STANDARD VERSION : 4½"



Accuracy	: $\pm 0.5\%$ F. S. (As per ANSI B40.100), EN837-1/6
Ambient temperature	: - 20°C to + 65°C
Process temperature	: Max 150°C
Operating pressure range:	75 % of Scale Value
Over pressure limit	: ≤ 100 bar : 125% of Max. Scale Value
	: > 100 to ≤ 600 bar : 115% of Max. Scale Value
	: OPTION : 50%, 150%, 400% of F.S

Case	: Fibre Glass Reinforced Polypropylene
Bourdon	: AISI 316L, FULL-SIZE BOURDON TUBE
Socket	: AISI 316L
Movement	: AISI 304
Joints	: Tig Argon Arc Welding

Protection	: IP 65, IP 67
Dial	: Aluminium, black graduation on white background
Pointer	: Aluminium, black Coloured, Micrometer Zero Adjustable
Window	: SAFETY GLASS
Blow off Disc	: AISI 304
Gasket	: Neoprene

DRY BUT FILLABLE VERSION (OPTION FG)

Fillable Dampening Liquid	: Glycerine 99.7%
Ambient Temperature	: Maximum 65°C
Process Temperature	: Maximum 65°C
Other Features	: Refer Specification of Standard Version

GLYCERINE FILLED VERSION (OPTION PY)

Accuracy	: $\pm 1.0\%$ of F. S.
Ambient Temperature	: Maximum 65°C
Process Temperature	: Maximum 65°C
Dampening Liquids	: Glycerine 99.7% (Others available as Option)
Other Features	: Refer Specification of Standard Version
Protection	: IP 65, IP 67

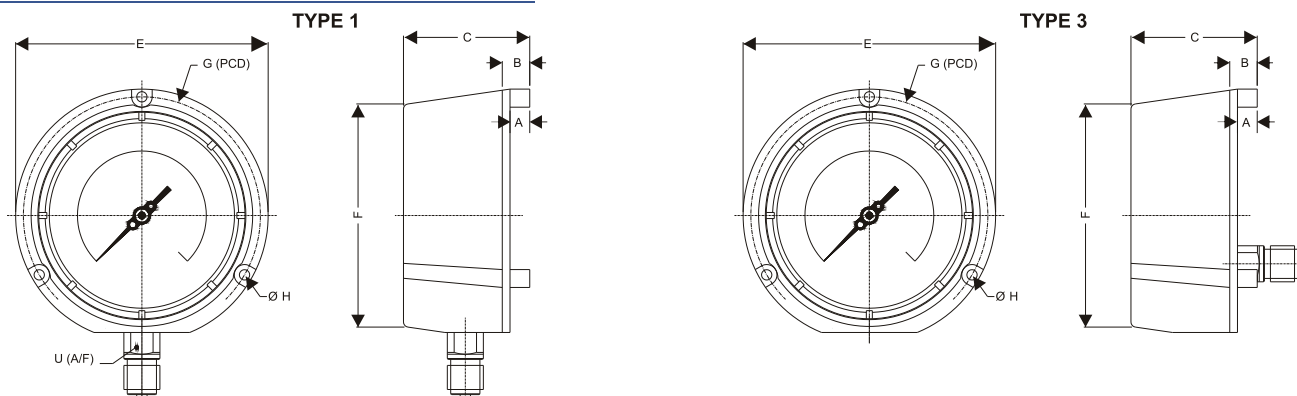
Temperature effect:

The variation of indication caused by effects of temperature is to be calculated by below formula; which is to be added in the specified accuracy while measurement :

Formula : $\pm 0.04 \times (t_2 - t_1) \%$ of F. S.

where t_1 = reference temperature (+20°C) and t_2 = ambient temperature in °C.

DIMENSIONS - STANDARD VERSION



NS	A	B	C	E	F	G	H	U	Weight in gram (with BOX)	Weight in gram (With Glycerin & Box)
4½"	12.5	24.5	73.5	148	130	137.5	6	22	900.00	1300.00

NS	A	B	C	E	F	G	H	U	Weight in gram (With BOX)
4½"	12.5	24.5	73.5	148	130	137.5	6	22	850.00

- Notes :
- Drawings are not to scale.
 - All Dimensions are in mm.
 - NS = Nominal Size
 - H - Arrangement for Mounting type 1
 - Weights mentioned are approximate and for standard product. Weight can be different after selection of options.

RANGE TABLE

Note : We offer International Scales like kPa, MPa, bar, psi, kg/cm² & Dual Scale like kPa with psi, kPa with bar, bar with psi or Equivalent scales as per the requirement can be provided on request.

Following are the example tables for kg/cm² & psi scales

PRESSURE RANGE

SINGLE SCALE (kg/cm ² or bar)					
0/0.6		0/4		0/25	0/1000
0/1		0/6		0/40	0/1600
0/1.6		0/10		0/60	0/2100
0/2.5		0/16		0/100	0/600

DUAL SCALE (kg/cm ² with psi)					
psi	kg/cm ²		psi	kg/cm ²	
0/15	0/1		0/400	0/28	0/4000
0/30	0/2		0/500	0/35	0/5000
0/60	0/4		0/600	0/40	0/6000
0/100	0/7		0/1000	0/70	0/10000
0/150	0/10		0/1500	0/100	0/15000
0/220	0/16		0/2200	0/160	0/22000
0/300	0/20		0/3000	0/200	0/30000

VACUUM & COMPOUND RANGE

DUAL SCALE					
inHg with psi	mmHg with kg/cm ²	inHg with psi	mmHg with kg/cm ²	inHg with psi	mmHg with kg/cm ²
- 30/0	- 760 / 0	- 30/60	- 760 / 3	- 30/200	- 760 / 15
- 30/15	- 760 / 1	- 30/100	- 760 / 6	- 30/300	- 760 / 20
- 30/30	- 760 / 2	- 30/150	- 760 / 9	- 30/350	- 760 / 24
SINGLE SCALE (kg/cm ²)					
- 1/0		- 1/1.5		- 1/5	- 1/15
- 1/0.6		- 1/3		- 1/9	- 1/24

ACCESSORIES (Refer Datasheet for complete specifications)

EB	COOLING TOWER	*	NEEDLE VALVE
EC	GAUGE COCK	EG	SNUBBER
ED	OVER LOAD PROTECTOR (GAUGE SAVER) **	EH	SIPHON

* Refer catalogue for Valves & Manifolds. ** For Pressure Ranges.

HOW TO ORDER MP-443 - N - X - YYY - R - ZZ

BASIC MODEL		CODE
		443
NOMINAL SIZE	G	N
	4 ½"	
TYPE OF MOUNTING		X
1 WALL / SURFACE / PROJECTION MOUNTING WITH BOTTOM ENTRY		
3 DIRECT LOWER BACK ENTRY (NO FILLABLE)		
GAUGE CONNECTION		YYY
3BM 3/8" BSP (M)		
4BM ½" BSP (M) STANDARD		
2NM ¼" NPT (M) STANDARD		
4NM ½" NPT (M) STANDARD		
Note : Connections like Metric / PT / PF / Flaired / UNF / G / R etc can be provided on request.		
RANGE		R
REFER RANGE TABLE		
OPTIONAL EXTRAS		ZZ
OB ACCURACY 1.0% OF F.S.	RX SHATTERPROOF / SAFETY GLASS	
TI MONEL BOURDON & SOCKET (MONEL VERSION) **	TF TESTED TO NACE STANDARDS	
PW FIVE POINT CALIBRATION CERTIFICATE	FS FILLABLE LIQUID SILICON OIL *	
PU CALIBRATION CERTIFICATE TRACEABLE TO INTERNATIONAL STANDARDS	FG FILLABLE LIQUID GLYCERINE	
RH CUSTOM DESIGNED DIAL	SF MOVEMENT WITH DAMPENING JELLY	
SG OXYGEN SERVICE (FOR DRY VERSION)	QB INTEGRAL DAMPENING SCREW (AISI 316 SS)	
SW DIAL TAG MARKING	FL INTEGRAL DAMPENING SCREW (MONEL) **	
SX SS TAG PLATE	PZ DAMPENING LIQUID MINERAL LIQUID FILLED	
TB HELIUM LEAK TEST	PX DAMPENING LIQUID FLOUROLUBE FILLED	
RR ENCLOSURE PROTECTION IP 66	PY DAMPENING LIQUID GLYCERINE FILLED	
ST FIBRE GLASS REINFORCED POLYPROPYLENE BOD	QA DAMPENING LIQUID SILICON OIL FILLED *	
SD AISI 316 SS MOVEMENT	ZL OVER RANGE PROTECTION 150% OF F. S.	
	OP OVER RANGE PROTECTION 400% OF F. S.	
	GH MATERIAL TEST CHRTITICARES ***	

* Gasket & Filling plug of NBR. Refer Price List for Viton.

** INTEGRAL DAMPENING SCREW WILL BE IN MONEL IF ORDERED. REFER OPTION FL.

*** MATERIAL TEST CERTIFICATES WILL BE PROVIDED FOR WETTED PARTS ONLY WITH CHEMICAL COMPOSITION TESTING. FOR OTHERS, PLEASE CONSULT FACTORY

Ordering Example: MP-443 - G - 3 - 3BM - 0/10kg/cm² - OB

FOR OTHER OPTIONAL ITEMS, PLEASE CONTACT FACTORY FOR DELIVERY AND MINIMUM QUANTITY OF ORDER.

Note : Specifications and dimensions given in this product catalogue represents the state of engineering at the time of printing.

Modifications may take place and materials specified may be replaced by others without prior notice.



Michshur s.z. (1984) LTD.

8 Hagavish st., P.O.B. 1951 Holon 58117, Israel
Tel. 972-3-6508585 Fax. 972-3-6508586
Email: info@michshur.com www.michshur.com