

Temperature Sensor Type 125

Outdoor Temperature Sensor

- Wall and pipe mounted temperature sensor
- Two basic versions: with a linear transmitter, Type 125I w/o transmitter, type 125P
- Polycarbonate Weatherproof enclosure
- Designed to IP65 and NEMA 3 specifications
- 3 years warranty

The 125 temperature sensor is ideal solutions for outdoor application were a sturdy sensor is required.

The polycarbonate enclosure with the IP65 and NEMA 3 protection enable the user an easy and fast installation with the benefit of a sensor for high demanding and extreme environmental conditions.

Two major versions are available for the 125 sensor:

The 125-P:

This sensor is a very cost competitive version for applications where there is no need of current output from the sensor.

We can offer a verity of resistive temperature devices (RTD's) to meet customers' needs and standard.

The most common types are the PT-100 or the PT-1000 according IEC-751standard.

Different types of common thermo-resistors and special sensing devices are also available.

The 125-I:

The 125 I is the same 125P sensor combined with a two wire loop powered 4÷20 mA transmitter. The build in transmitter converts the temperature sensor signal into a standard 4÷20 mA current signal propotional and linearization to the temperature. The linearization complies with the DIN-43760 and IEC-751 standards.

The 125 I can be ordered for all common measuring ranges, or for special pre-calibrated ranges. With two easily accessible trim-pots (Zero and Span) located on the transmitter PCB it is very easy to perform the annual routine calibration.

The 125 I is design for easy installation on wall or duct applications.



Technical Specifications

125-P:

Sensor type: PT100, PT1000, NI1000

Accuracy: According DIN-43760 and IEC-751 standards

125-I:

Power supply: 9-36VDC polarity protected

Power supply effect: <0.005%/V

Output: 4-20mA

Load: max. $R_{Load}(ohms) = (V_{Supply}-10)/0.020$

Input: RTD type PT-100 according to DIN-43760 or IEC-751

RTD connection: 3 wire system

Transmitter span: 50°C to +200°C

Transmitter zero: -50°C to +50°C

Accuracy: combined linearity, Hysteresis and repeatability:<0.15% F.S

Sensor current excitation: <1mA

Temperature stability: <+/-0.03% of span/ °K

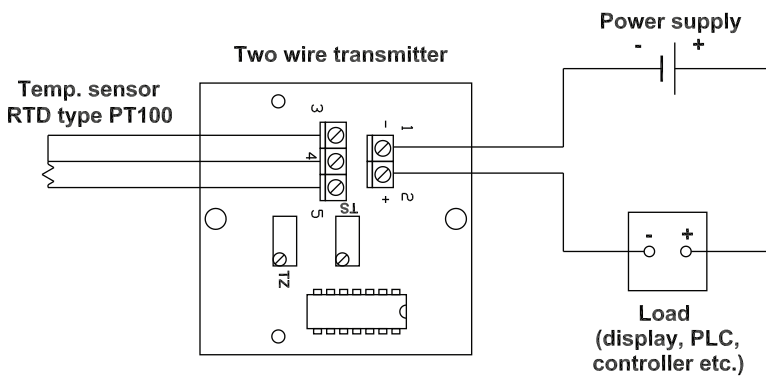
Operating temperature: -40 to 85 °C

Storage temperature: -45 to 85 °C

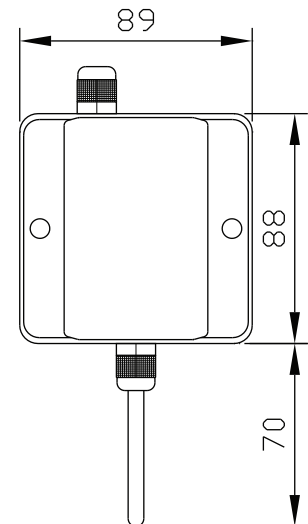
Enclosure: Polycarbonate, IP65

CONNECTION DIAGRAM

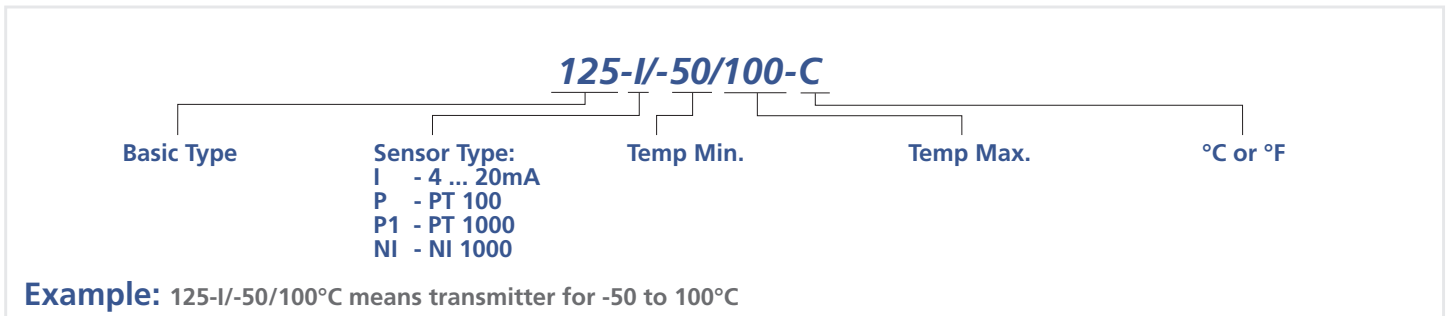
For 125-I



DIMENSIONS (mm)



How to order:



Michshur Ltd. reserves the right to make changes to any product herein and assumes no liability arising out of the application or use of any product described or referenced herein.